

# 70 l/s Dry Pumping Turbo System *Extorr*

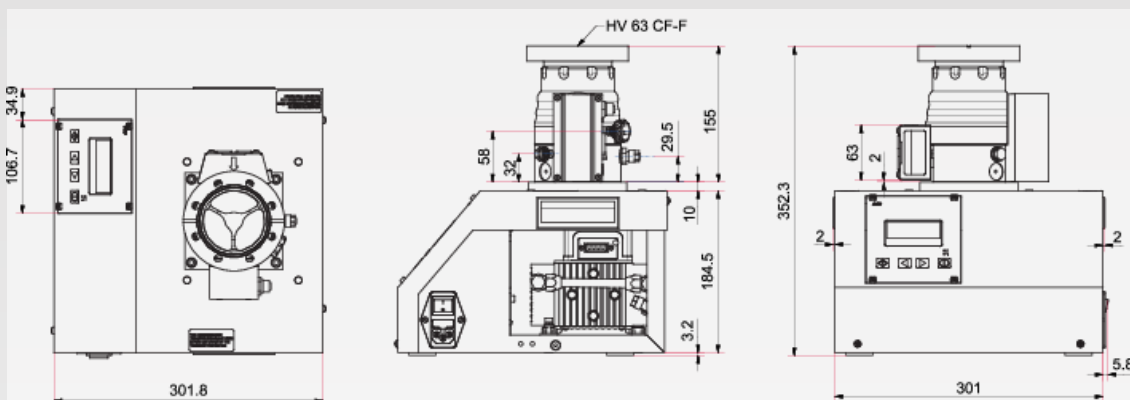


**Description:** The 70 l/s Dry Pumping Turbo System is a compact, air cooled pumping station with a 4 stage diaphragm backing pump and a turbo pump, produced by Pfeiffer Vacuum.

## Specifications

<b>Backing pump</b>	MVP 015-4
<b>Cooling method, standard</b>	Air
<b>Flange (in)</b>	DN 63 CF-F
<b>Flange (out)</b>	Silencer, G 1/8"
<b>Mains requirement</b>	110 – 240 V AC, 50/60 Hz
<b>Mains requirement: power consumption</b>	270 W

<b>Pumping speed backing pump at 50 Hz</b>	0.75 m <sup>3</sup> /h   0.44 cfm   12.5 l/min
<b>Pumping speed for N<sub>2</sub></b>	67 l/s
<b>Sound pressure level</b>	≤ 50 dB(A)
<b>Turbopump</b>	HiPace 80
<b>Ultimate pressure</b>	< 1 · 10 <sup>-8</sup> hPa   < 7.5 · 10 <sup>-9</sup> Torr   < 1 · 10 <sup>-8</sup> mbar
<b>Weight</b>	15.2 kg   33.51 lb



## Ordering Information

Product Number	Description	Price
PF70	70 l/s dry pumping turbo system	\$6500.00

**Extorr, Inc.**  
 307 Columbia Road  
 New Kensington, PA 15068

**Phone: 724-337-3000**

**www.extorr.com**

8/9/2019 5:44 PM